

PARTS MANUAL

Models

**EH41, EH36
ENGINES**

PUB-EP5728
Rev. 09/01

Robin America, Inc.

940 Lively Blvd. • Wood Dale, IL 60191 • Phone: 630-350-8200 • Fax: 630-350-8212
e-mail: sales@robinamerica.com • www.robinamerica.com

© Copyright 2001 Robin America, Inc.

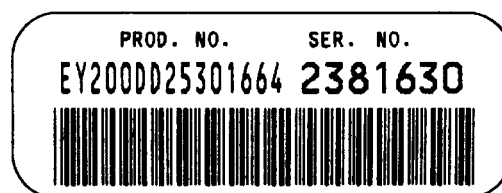
HOW TO USE THIS MANUAL

Robin engines are identified by MODEL, SPECIFICATION, and CODE NUMBER. For each model there may be many different versions called specifications. Each specification will be unique in some way. The difference may only be the paint color or it may have a different type of PTO or some other significant difference.

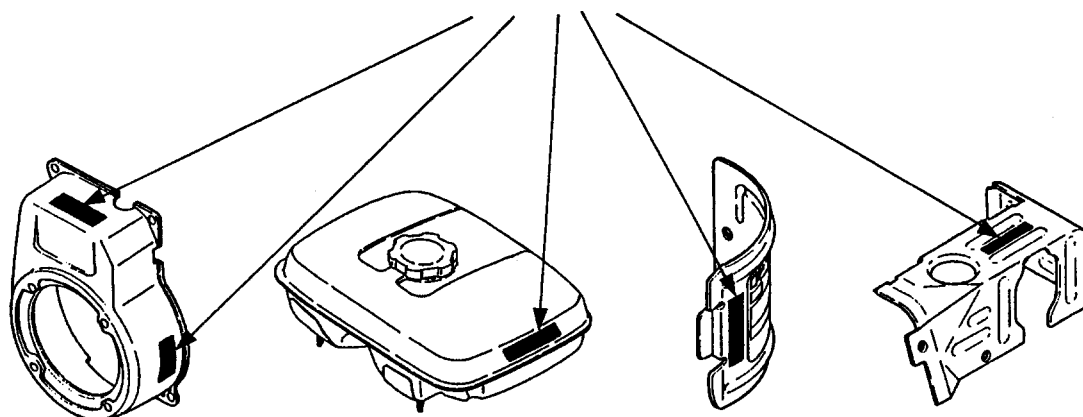
In order to identify the correct service part number, it is important to confirm the specification and code numbers for your engine. The specification and code number together are known as the PRODUCT NUMBER.

All Robin 4 cycle engines have a Product Number label similar to the label illustrated below.

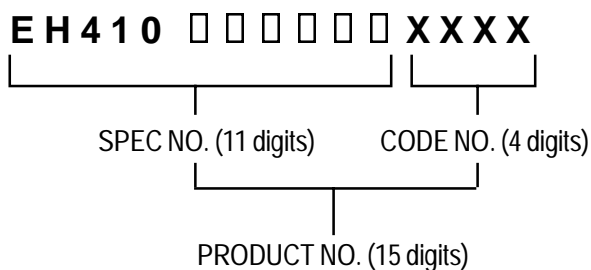
PRODUCT NUMBER LABEL



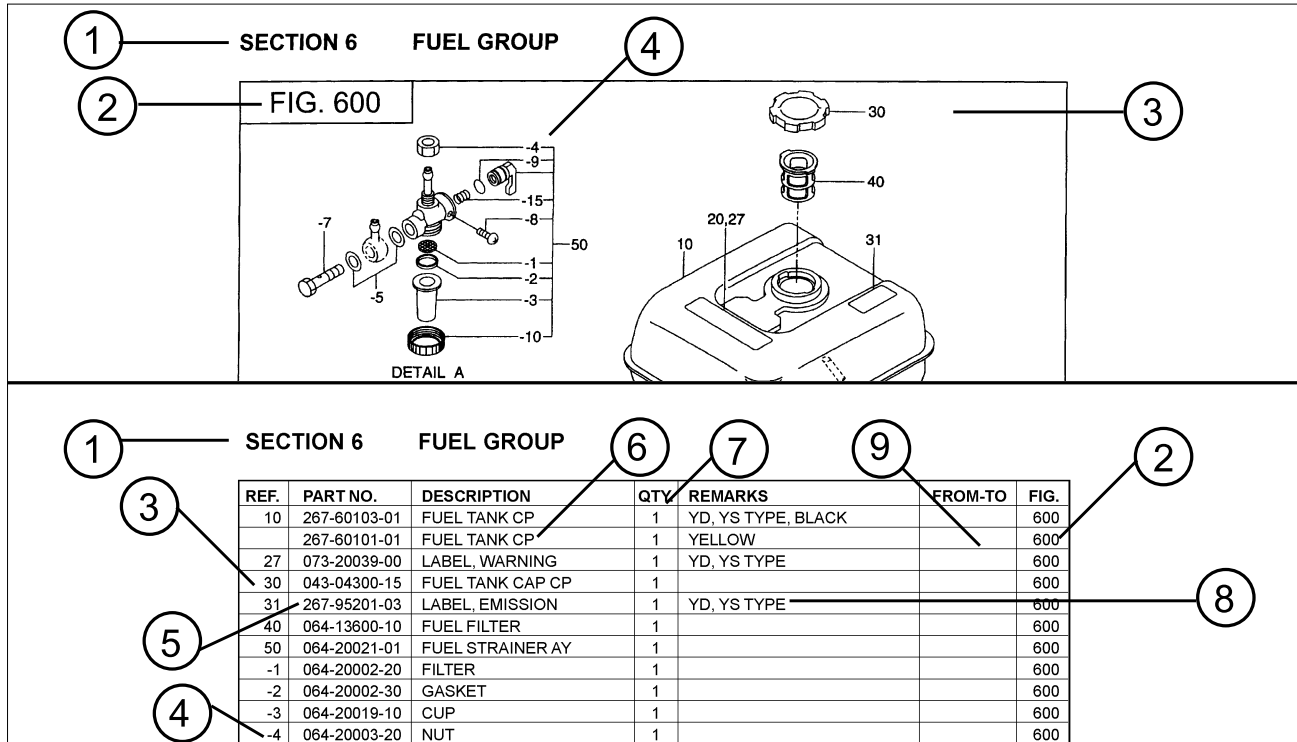
PRODUCT NUMBER LABEL LOCATIONS



The Product Number Label has a 15 digit alphanumeric string that consists of the SPECIFICATION (SPEC) number (11 digits) and the CODE number (4 digits). Please note the illustration below:



MANUAL LAYOUT



1. SECTION NAME Parts are broadly classified according to their functions. Refer to the Group Index (table of contents) for respective section name.
2. FIG. No. The FIG. number indexes the reference and part numbers to the illustration. Figure numbers that vary only in the tens place (i.e.: 700 and 710) are in a group of the same section (i.e.: Electrical Device Group).
3. REF. No. The Reference number identifies the part illustration with the corresponding part number in the part list.
4. SUBASSEMBLY SUBASSEMBLY parts of part assembly are listed below the assembly part. The subassembly part reference number is indicated by the number led by "-" such as "-1", "-2".
5. PART NUMBER It is the number assigned for sales unit. Use the PART No. when making an order.
6. DESCRIPTION It is designation of the part.
7. QTY. Quantity of each part used for each product.
8. REMARKS This gives a distinctive feature and/or a supplementary comment for the type, the specification, and the part concerned. It also shows part number(s) interchangeable for the part.
9. FROM-TO This section shows the CODE No. to indicate the history of progress in which improved parts have been introduced in the product. The FROM-TO CODE No. helps to identify PART No. being employed in the product concerned. See the examples below:
 - The part is used in the product irrespective of CODE No.
 - 2101- The part is used in the products with CODE No. of 2101 and after this number.
 - 2100 The part is used in the products with CODE No. of 2100 and before this number.

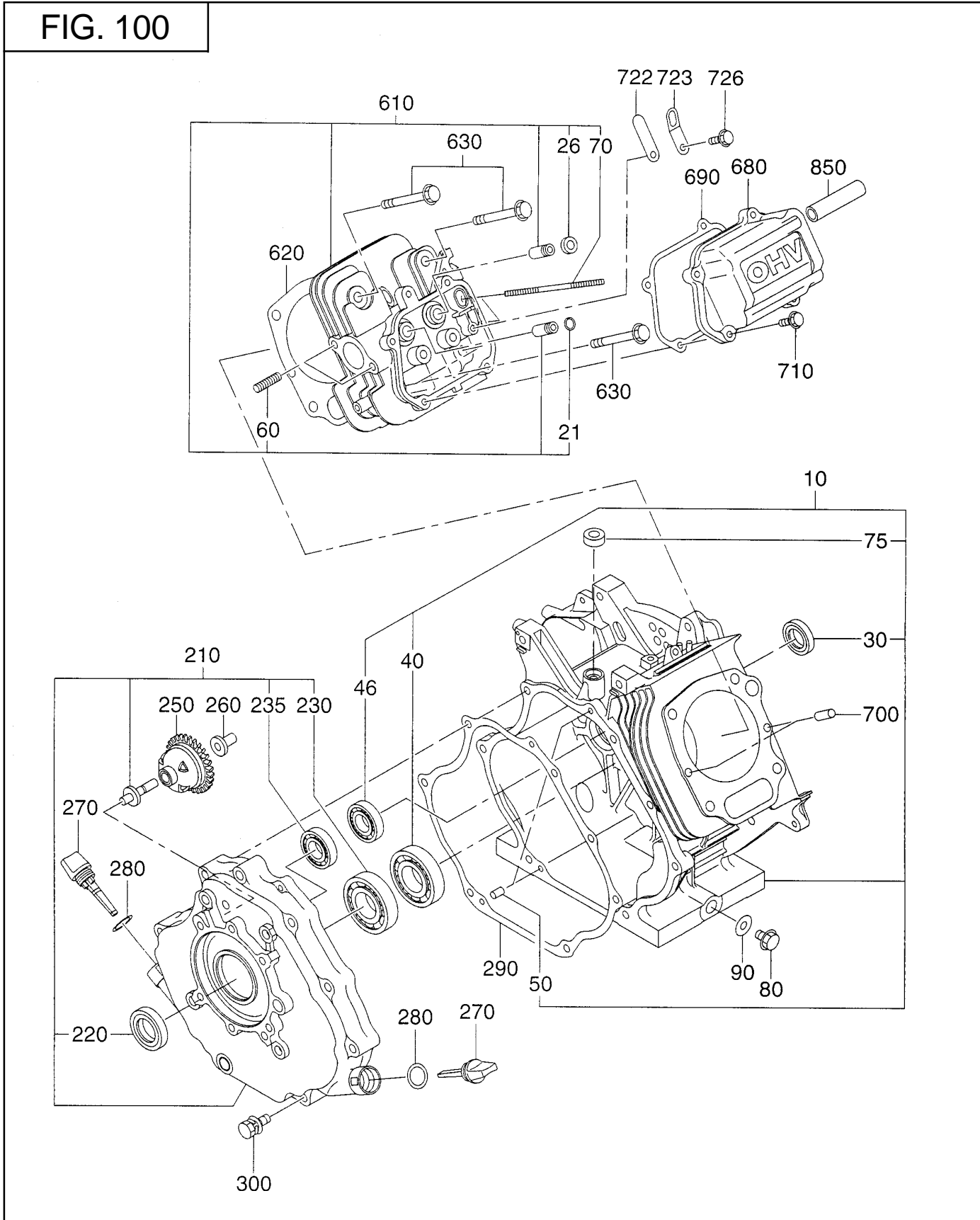
GROUP INDEX

Group Name	Page
CRANKCASE GROUP	6
CRANKSHAFT GROUP	8
INTAKE and EXHAUST GROUP	10
GOVERNOR GROUP	16
COOLING and STARTING GROUP	18
FUEL GROUP	20
ELECTRIC DEVICE GROUP - RECOIL START	26
ELECTRIC DEVICE GROUP - ELECTRIC START	28
ELECTRIC DEVICE GROUP - ELECTRIC STARTER	30
ELECTRIC DEVICE GROUP - OIL SENSOR	32
SOLENOID GROUP	34

INDEX OF DESCRIPTION SYMBOLS			
SYMBOL	DESCRIPTION	SYMBOL	DESCRIPTION
AY	ASSEMBLY	P=	PITCH (in mm)
CP	COMPLETE	P.T.O. (PTO)	POWER TAKE OFF
EX	EXPORT (from Japan)	REF.	REFERENCE
FIG.	FIGURE	R.H. (RH)	RIGHT HAND SIDE
FR.	FRONT	RR.	REAR
"	INCH	STD.	STANDARD
INCL.	INCLUDE	SW	SWITCH
-L	LITER	T=	THICKNESS (in mm)
L=	LENGTH (in. mm)	UN	UNIT
L.H. (LH)	LEFT-HAND SIDE	U.S.	UNDER SIZE
MECH	MECHANICAL	~V	VOLTAGE
NO (NON)	NONE	~W	WATT
OPT.	OPTIONAL	W/	WITH
O.S.	OVER SIZE	W/O	WITHOUT

SECTION 1 CRANKCASE GROUP

FIG. 100



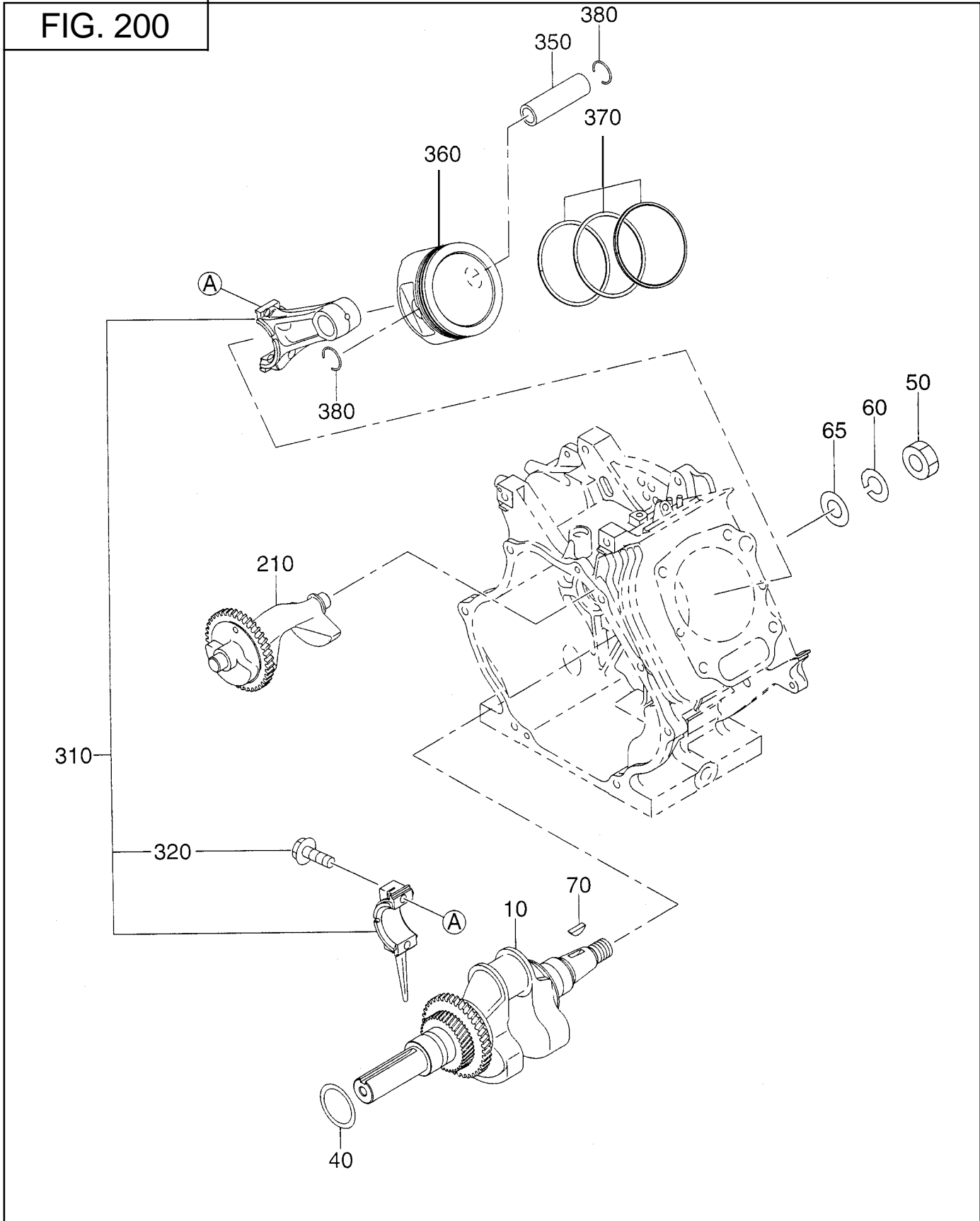
SECTION 1 CRANKCASE GROUP

REF.	PART NO.	DESCRIPTION	QTY.	REMARKS	FROM-TO	FIG.
10	267-10101-61	CRANKCASE CP	1			100
	267-10102-61	CRANKCASE CP	1	Electric Start type		100
21	056-51000-40	CLIP	1			100
26	132-07AA0-50	SEAL	1			100
30	044-03500-90	OIL SEAL	1			100
40	060-03500-10	BALL BEARING	1	BB-6207C3		100
46	060-01500-60	BALL BEARING	1	BB-6202C3 i/w 060-01500-10		100
50	031-00600-20	DOWEL PIN	2			100
60	010-50802-90	STUD	2			100
70	010-50602-91	STUD	2			100
75	044-00800-10	OIL SEAL	1	7.4 x 14 x 4		100
80	040-11400-30	PLUG	2			100
86	042-01800-10	PLUG, RUBBER	1	W/O Oil Sensor		100
90	021-11400-20	GASKET	2			100
210	267-11002-31	MAIN BEARING COVER CP	1	SAE		100
	267-11001-31	MAIN BEARING COVER CP	1	METRIC		100
220	044-03500-90	OIL SEAL	1	35 x 48 x 8		100
230	060-03500-10	BALL BEARING	1	BB-6207C3		100
235	060-01500-10	BALL BEARING	1	BB-6202C3		100
250	267-45001-01	GOVERNOR GEAR CP	1			100
260	205-41901-03	GOVERNOR SLEEVE	1			100
270	224-63601-03	OIL GAUGE	2			100
280	021-32000-10	GASKET	2			100
290	267-15101-13	GASKET, BEARING COVER	1			100
300	267-19999-03	FLANGE BOLT	7			100
610	267-13001-31	CYLINDER HEAD CP	1			100
620	267-15001-13	GASKET, HEAD	1			100
630	011-01000-30	FLANGE BOLT	4			100
680	267-15501-11	ROCKER COVER CP	1			100
690	267-15201-13	GASKET, rocker cover	1			100
700	031-00600-20	DOWEL PIN	2			100
710	011-00601-30	FLANGE BOLT	4			100
722	267-16001-A3	LEAF VALVE	1			100
723	267-16101-A3	RETAINER PLATE	1			100
726	011-00600-10	FLANGE BOLT	1			100
850	085-11000-00	RUBBER PIPE	1	10 X 15		100
*960	267-99001-07	GASKET SET				

Gasket Set includes the following:
 Fig. 100 Ref. # 90, 280, 290, 620, 690
 Fig. 300 Ref. # 340, 510, 570

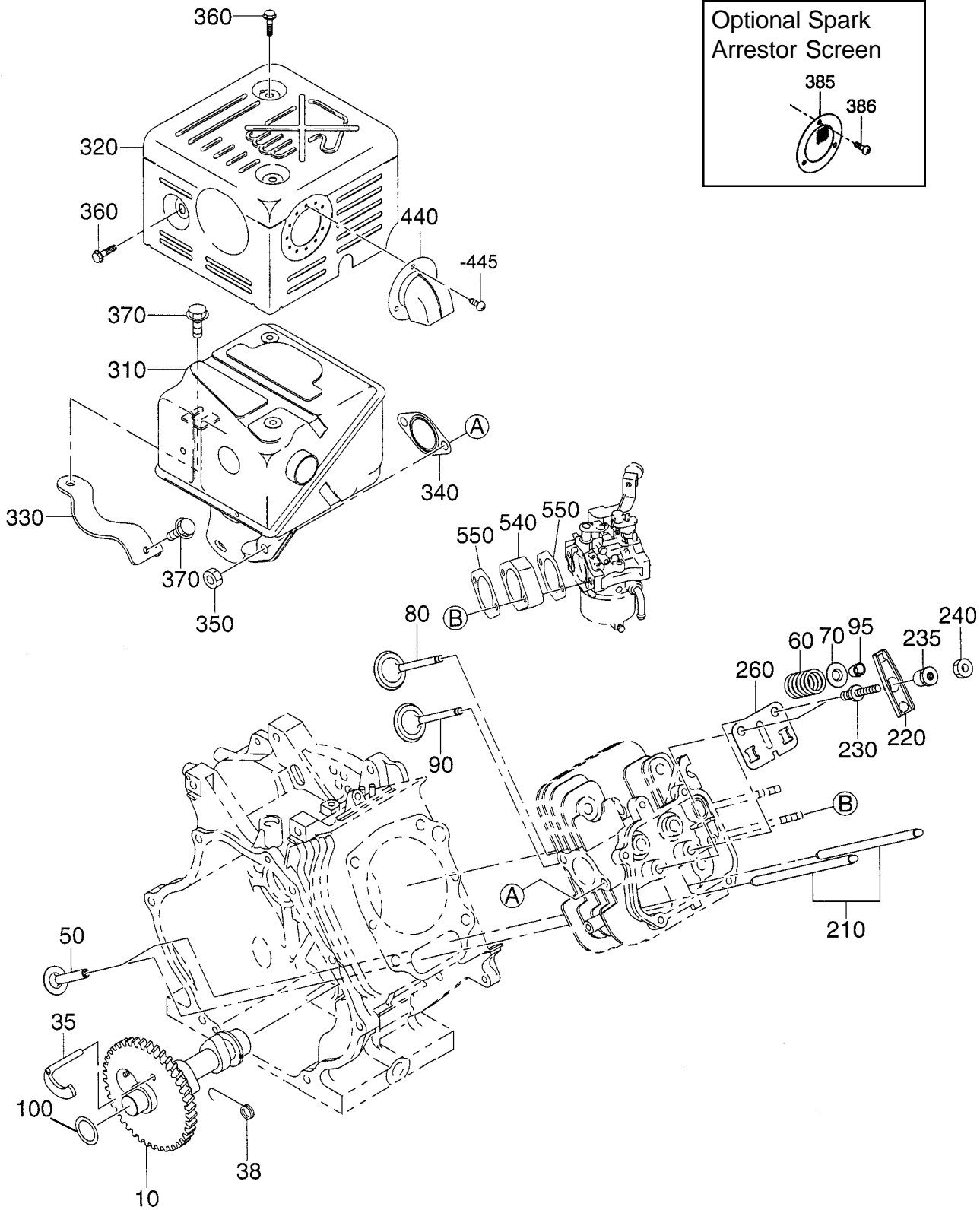
SECTION 2 CRANKSHAFT GROUP

FIG. 200



SECTION 3 INTAKE and EXHAUST GROUP

FIG. 300



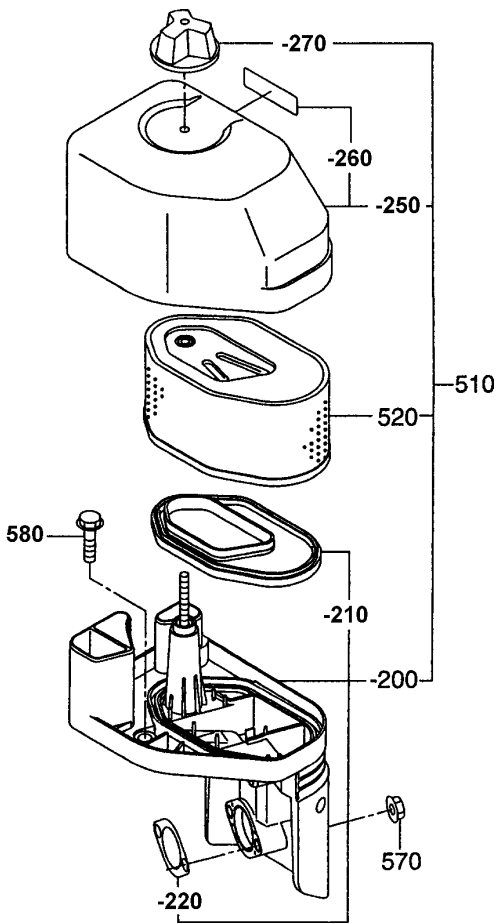
SECTION 3 INTAKE and EXHAUST GROUP

REF.	PART NO.	DESCRIPTION	QTY.	REMARKS	FROM-TO	FIG.
10	267-31A01-01	CAMSHAFT CP	1	EH41		300
	267-31B01-01	CAMSHAFT CP	1	EH36		300
35	246-36201-11	RELEASE LEVER CP	1			300
38	246-36701-03	RETURN SPRING	1			300
50	239-33301-13	TAPPET	2			300
60	246-33611-03	VALVE SPRING	2			300
70	246-33711-03	SPRING RETAINER	2			300
80	263-33401-03	INTAKE VALVE	1			300
90	267-33501-03	EXHAUST VALVE	1			300
95	246-35501-03	COLLET, VALVE	4			300
100	023-02200-50	SPACER T=0.6	1	select 1 spacer only		300
	023-02200-60	SPACER T=0.7	1	select 1 spacer only		300
	023-02200-70	SPACER T=0.8	1	select 1 spacer only		300
210	267-35301-B1	PUSH ROD CP	2			300
220	267-36101-A3	ROCKER ARM	2			300
230	261-35801-13	BOLT, PILOT	2	i/w 261-35801-03		300
235	261-35701-B3	PIVOT	2			300
240	017-00601-10	NUT	2			300
260	267-36501-A3	GUIDE PLATE	1			300
310	267-30101-02	MUFFLER UN	1			300
320	267-34201-01	MUFFLER COVER CP	1			300
330	267-37001-01	MUFFLER BRACKET CP	1			300
340	246-35201-03	GASKET, MUFFLER	1			300
350	017-00800-30	NUT	2			300
360	015-20601-10	TAPPING SCREW	5			300
370	001-04081-60	FLANGE BOLT	2			300
385	267-37101-02	SCREEN	1	spark arrestor		300
386	015-00400-60	TAPPING SCREW	3	for spark arrestor		300
440	246-37001-07	DEFLECTOR AY	1			300
-445	015-00400-60	TAPPING SCREW	3			300
550	267-32901-03	INSULATOR	1			300
560	267-35901-A3	GASKET, INSULATOR	2			300

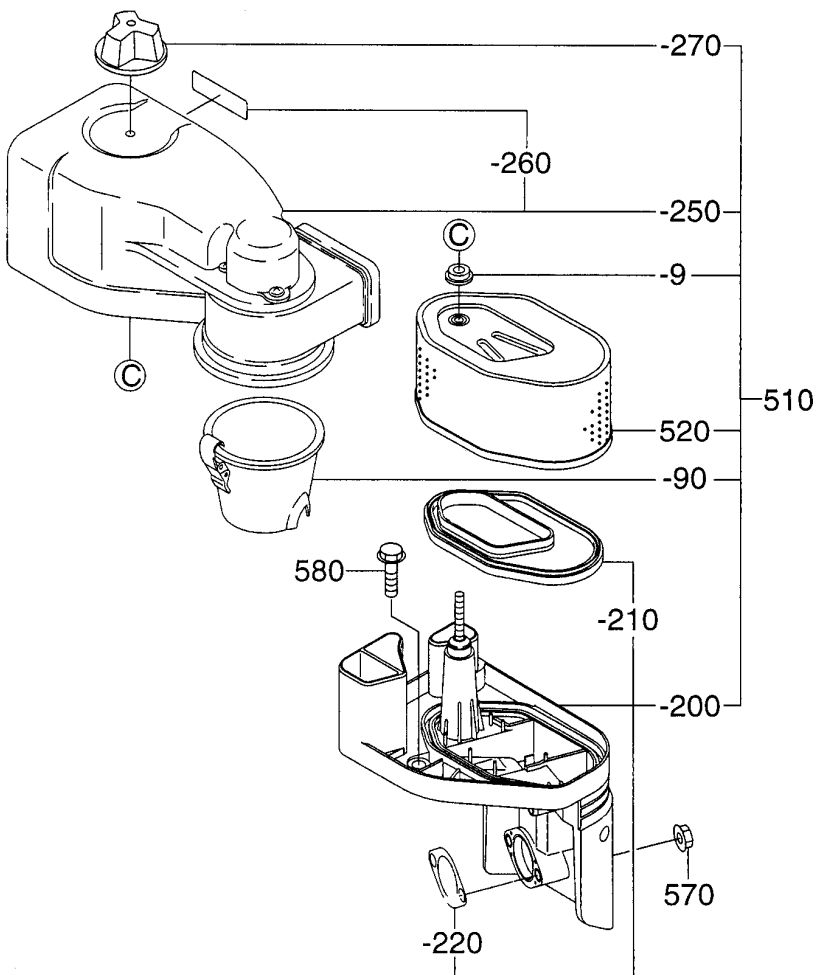
SECTION 3 INTAKE and EXHAUST GROUP

FIG. 310

(A) Standard Type

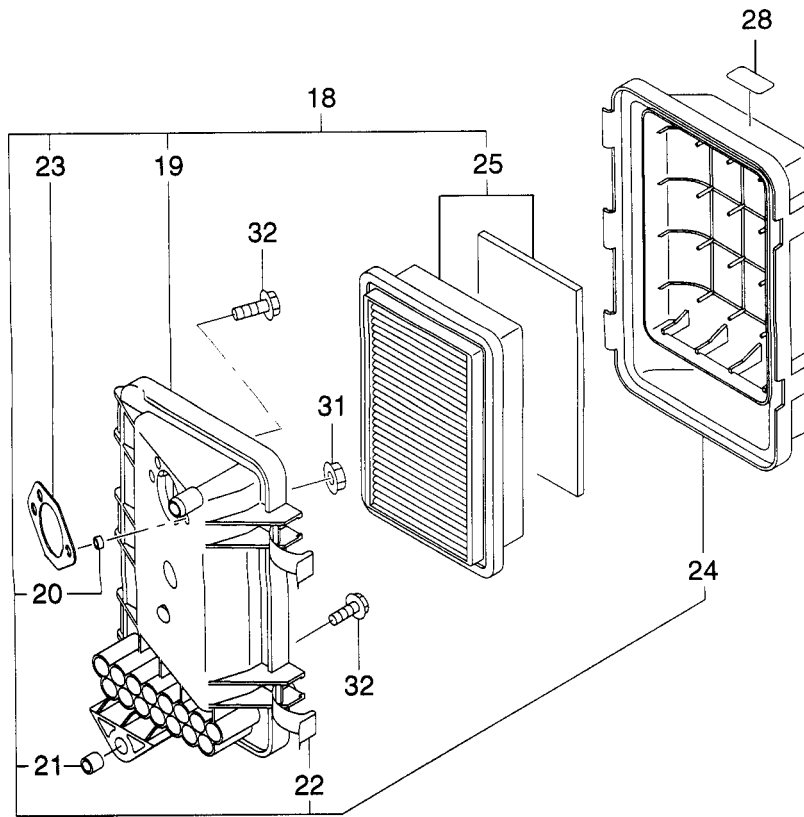


(B) Cyclone with Debris cup



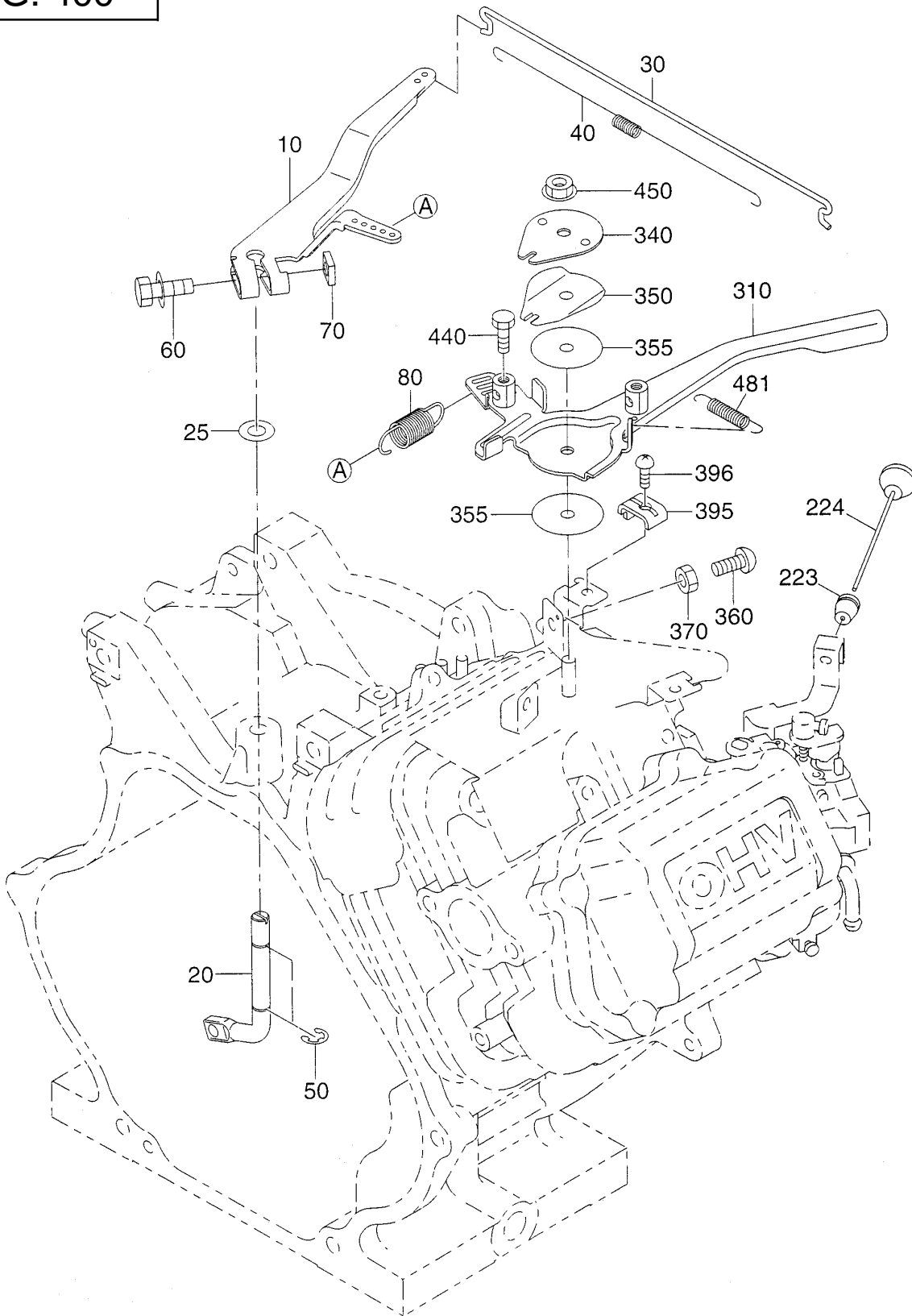
SECTION 3 INTAKE and EXHAUST GROUP - for RGV7500

FIG. 320



SECTION 4 GOVERNOR GROUP

FIG. 400

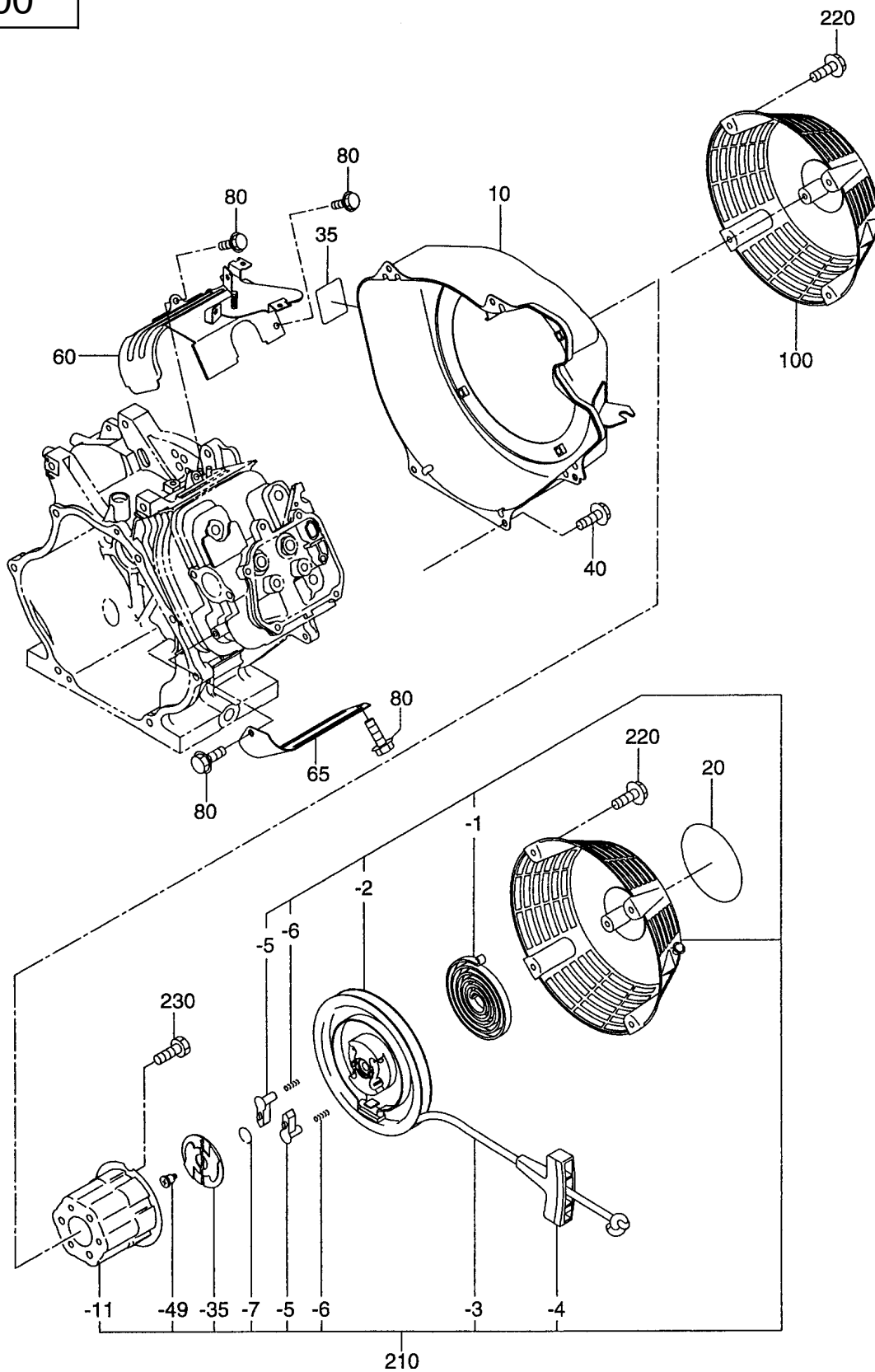


SECTION 4 GOVERNOR GROUP

REF.	PART NO.	DESCRIPTION	QTY.	REMARKS	FROM-TO	FIG.
10	267-42301-03	GOVERNOR LEVER	1			400
20	267-42201-03	GOVERNOR SHAFT	1			400
25	003-11080-00	WASHER	1			400
30	267-42701-01	GOVERNOR ROD CP	1			400
40	267-42801-13	ROD SPRING	1			400
50	003-13060-00	CLIP	2			400
60	001-14063-00	BOLT and WASHER AY	1			400
70	018-60600-20	NUT	1			400
80	267-42501-03	GOVERNOR SPRING	1			400
223	024-10200-10	GROMMET	1			400
224	246-45006-01	KNOB CP	1			400
310	267-43302-01	SPEED CONTROL LEVER CP	1			400
340	227-43501-13	STOP PLATE	1			400
350	227-45002-03	SPRING WASHER	1			400
355	021-70600-60	FRICION WASHER	2			400
360	004-31061-80	SCREW, panhead	1			400
370	002-27060-00	NUT	1			400
395	235-43901-13	CLAMP	1			400
396	004-36051-60	SCREW and WASHER AY	1			400
440	011-60400-30	BOLT	1			400
450	017-60600-20	SELF LOCK NUT	1			400
481	267-45101-03	RETURN SPRING	1			400

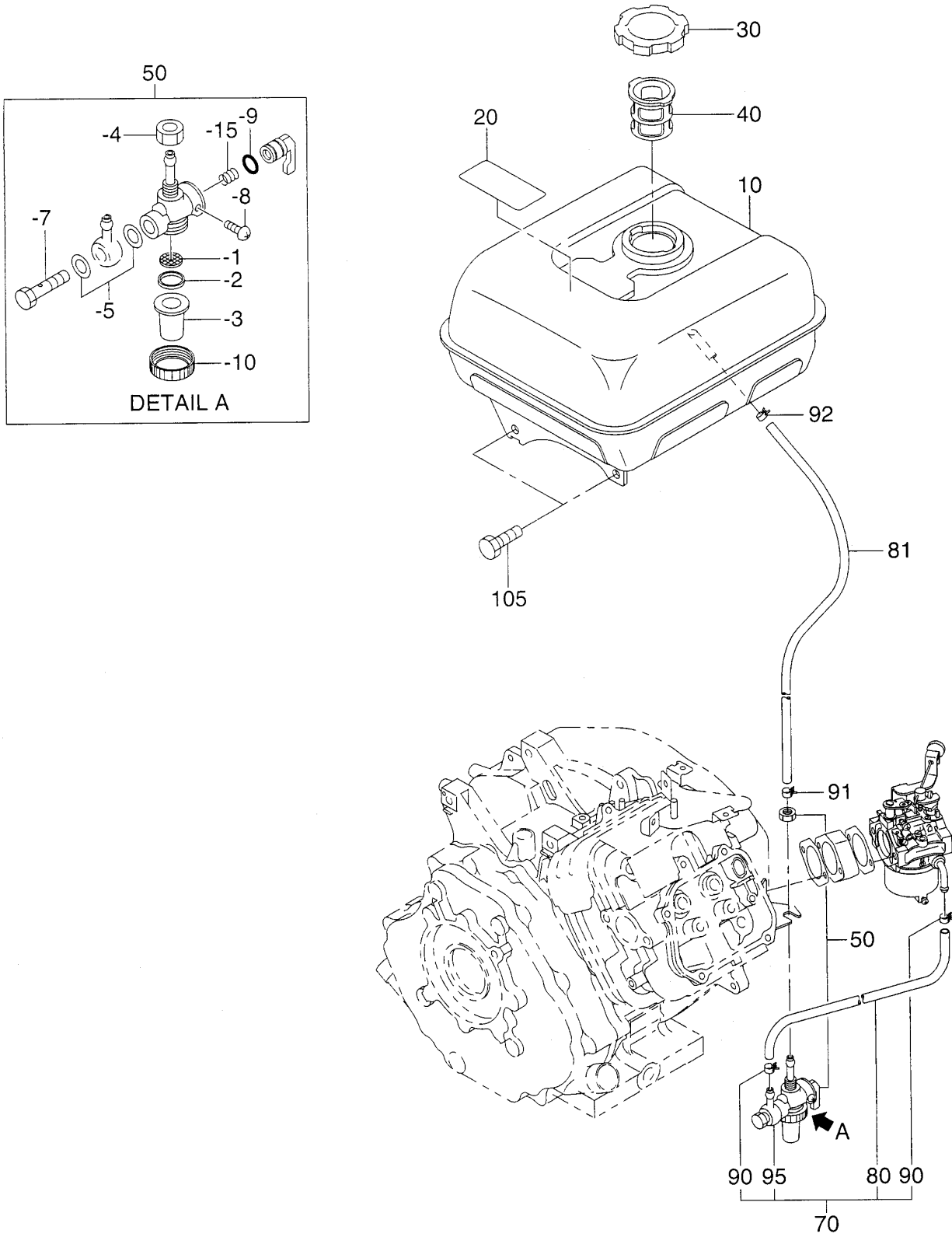
SECTION 5 COOLING and STARTING GROUP

FIG. 500



SECTION 6 FUEL GROUP

FIG. 600

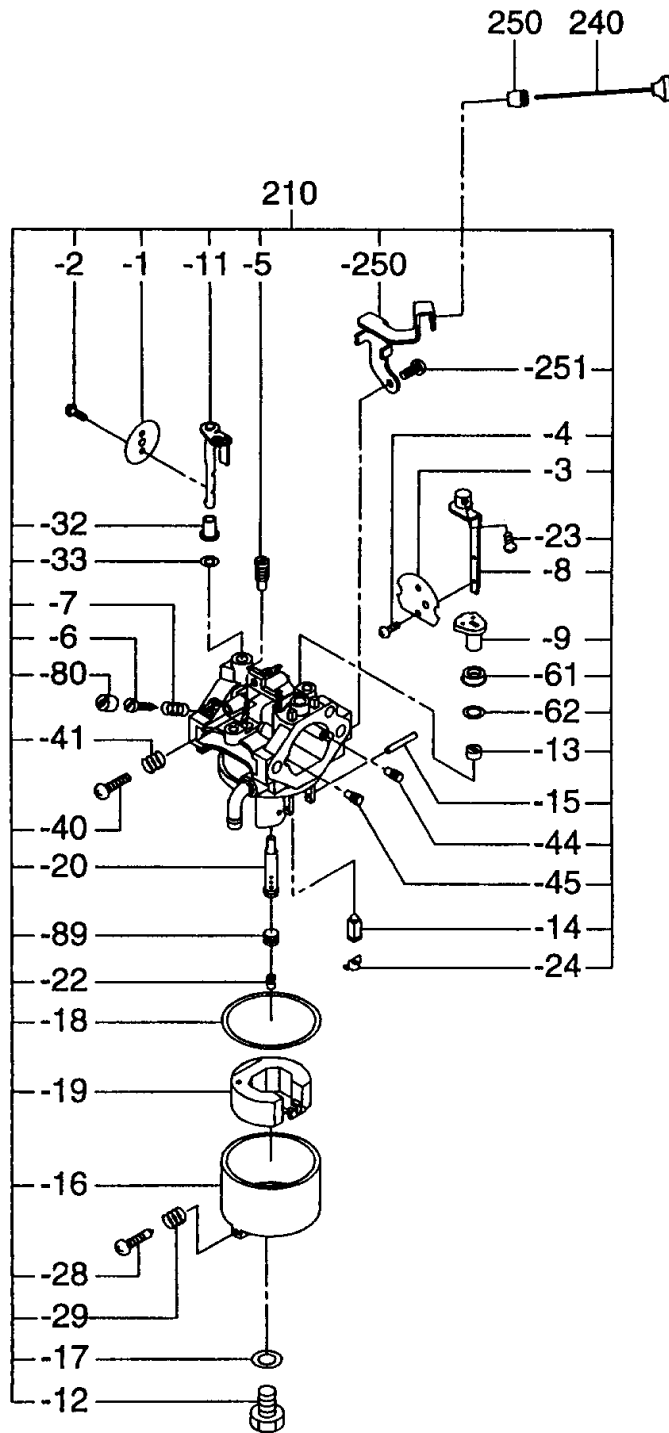


SECTION 6 FUEL GROUP

REF.	PART NO.	DESCRIPTION	QTY.	REMARKS	FROM-TO	FIG.
10	267-60103-01	FUEL TANK CP	1	BLACK		600
	267-60101-01	FUEL TANK CP	1	YELLOW		600
20	073-20039-00	LABEL, WARNING	1			600
30	043-04300-15	FUEL TANK CAP CP	1			600
40	064-13600-10	FUEL FILTER	1			600
50	064-20021-01	FUEL STRAINER AY	1			600
-1	064-20002-20	FILTER	1			600
-2	064-20002-30	GASKET	1			600
-3	064-20019-10	CUP	1			600
-4	064-20003-20	NUT	1			600
-5	064-20002-50	GASKET	2			600
-7	064-20002-40	BANJO BOLT	1			600
-8	064-20027-90	LOCK BOLT	1			600
-9	064-20003-30	O-RING	1			600
-10	064-20024-10	LOCK NUT	1			600
-15	064-20032-30	SPRING	1			600
70	224-62611-01	FUEL PIPE 11 CP	1			600
80	085-10600-00	RUBBER PIPE	1	6 x 12 x 100 mm		600
81	085-10600-00	RUBBER PIPE	1	6 x 12 x 100 mm		600
90	056-11100-20	HOSE CLAMP	2			600
91	056-11100-20	HOSE CLAMP	1			600
92	056-11200-40	HOSE CLAMP	1			600
95	052-10700-42	BANJO	1			600
105	001-13082-00	BOLT and WASHER AY	4			600

SECTION 6 FUEL GROUP

FIG. 610

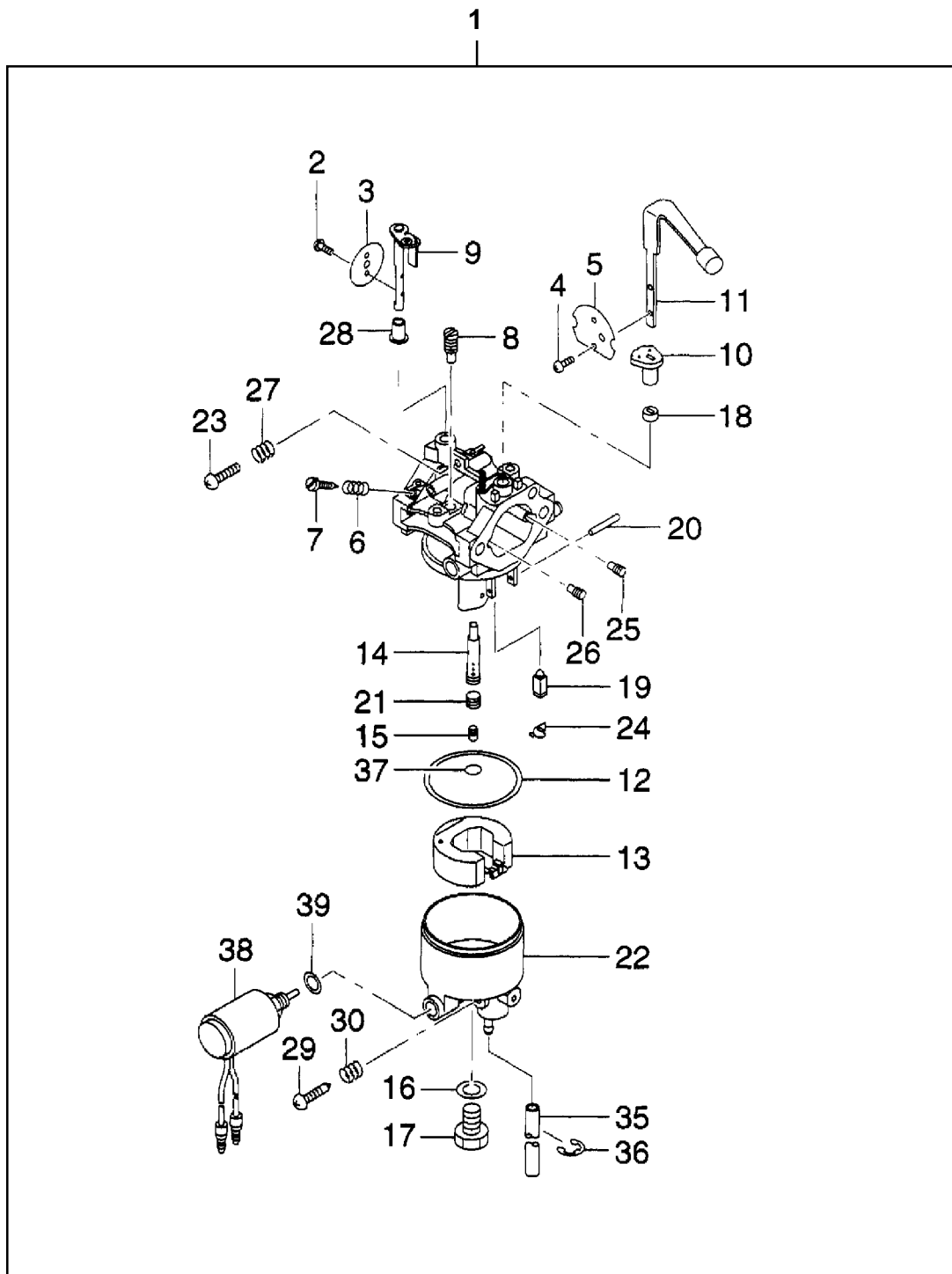


SECTION 6 FUEL GROUP

REF.	PART NO.	DESCRIPTION	QTY.	REMARKS	FROM-TO	FIG.
210	267-62302-10	CARBURETOR AY	1	EH41		610
210	266-62302-00	CARBURETOR AY	1	EH36		610
-1	267-62535-08	THROTTLE VALVE	1	EH41		
	266-62535-08	THROTTLE VALVE	1	EH36		610
-2	209-62351-08	SCREW	2			610
-3	267-62525-08	CHOKE VALVE	1			610
-4	237-62451-08	SCREW	2			610
-5	227-62422-08	PILOT JET	1			610
-6	246-62436-08	ADJUSTER	1			610
-7	206-62446-08	SPRING	1			610
-8	267-62520-08	CHOKE LEVER	1			610
-9	239-62560-08	RING, CHOKE	1			610
-11	267-62531-08	THROTTLE SHAFT	1	EH41		610
	266-62531-08	THROTTLE SHAFT	1	EH36		610
-12	150-62358-08	BOLT	1			610
-13	226-62550-08	RING	1			610
-14	224-62312-18	NEEDLE VALVE AY	1			610
-15	214-62515-08	PIN	1			610
-16	234-62552-08	FLOAT CHAMBER BODY	1			610
-17	207-62345-08	PACKING	1			610
-18	206-62540-08	PACKING, CHAMBER	1			610
-19	234-62506-08	FLOAT AY	1			610
-20	267-62440-08	MAIN NOZZLE	1			610
-22	267-62402-08	MAIN JET	1	EH41		610
	246-62403-08	MAIN JET	1	EH36		610
-23	242-62323-08	SCREW	1			610
-24	224-62569-18	CLIP	1			610
-28	224-62452-08	SCREW	1			610
-29	209-62445-08	SPRING	1			610
-32	267-62450-08	RING	1			610
-33	106-62392-18	SEAL	1	i/w 106-62392-08		610
-40	224-62452-08	ADJUST SCREW	1			610
-41	230-62446-08	SPRING	1			610
-44	106-62411-08	AIR JET	1	EH41		610
	266-62410-08	AIR JET	1	EH36		610
-45	246-62410-08	AIR JET	1			610
-61	247-62550-08	CAP	1			610
-62	236-62680-08	SEAL	1			610
-80	246-62551-08	CAP	1			610
-89	246-62425-08	GUIDE HOLDER	1			610
-250	267-62451-08	BRACKET	1			610
-251	267-62452-08	SCREW	1			610
240	246-45006-01	KNOB CP	1			610
250	207-32690-08	GROMMET	1			610

SECTION 6 FUEL GROUP - for RGV7500

FIG. 620

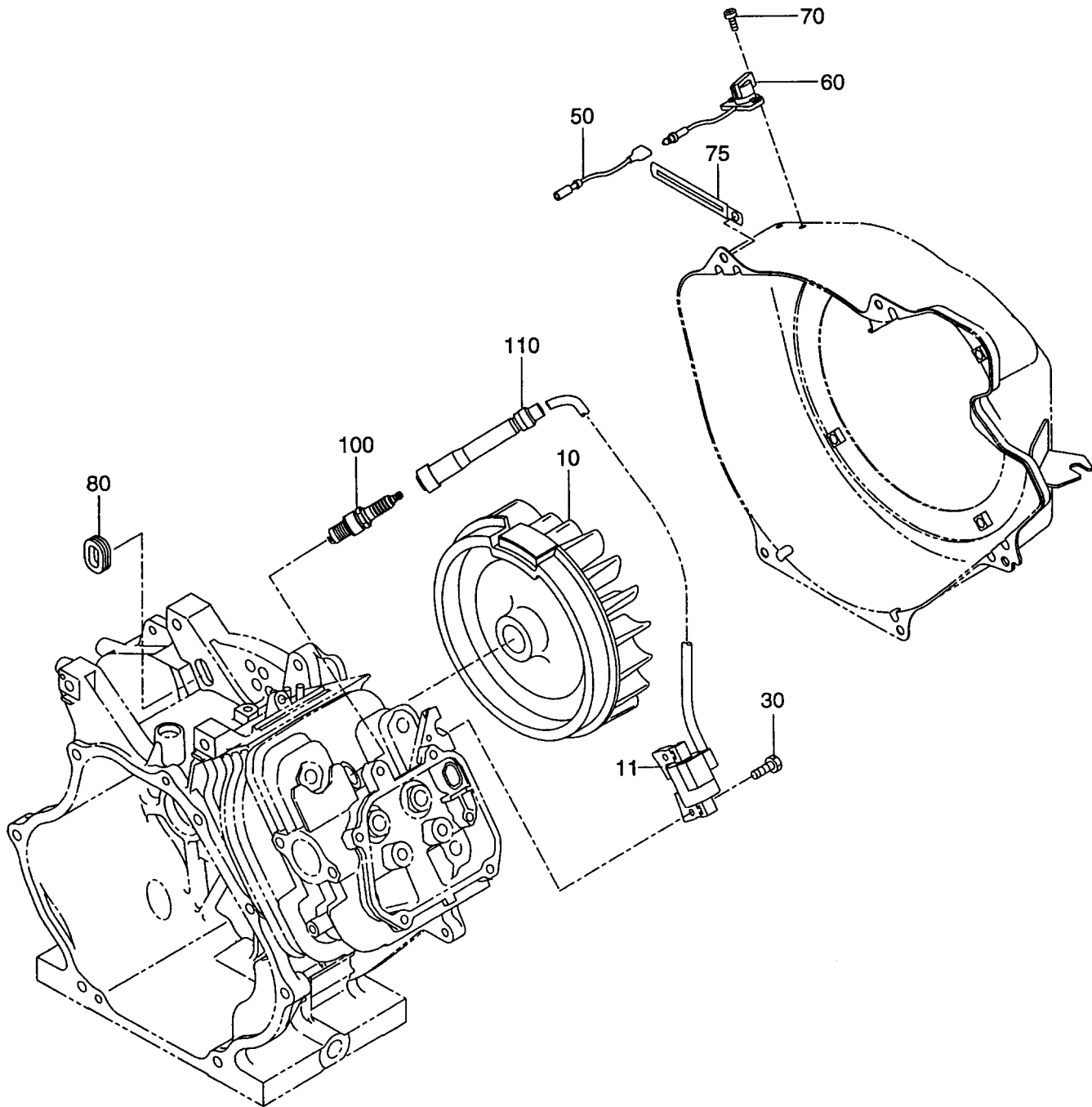


SECTION 6 FUEL GROUP - for RGV7500

REF.	PART NO.	DESCRIPTION	QTY.	REMARKS	FROM-TO	FIG.
1	267-62311-00	CARBURETOR AY	1	Includes items 2-30, 35-39		620
2	209-62351-08	SCREW	2			620
3	267-62535-08	THROTTLE VALVE	1			620
4	237-62451-08	SCREW	2			620
5	267-62526-08	CHOKER VALVE	1			620
6	206-62446-08	SPRING	1			620
7	237-62435-08	ADJUSTER	1			620
8	209-62420-08	PILOT JET #50	1			620
9	267-62530-08	THROTTLE SHAFT AY	1			620
10	234-62550-08	RING	1			620
11	267-62521-08	CHOKER LEVER AY	1			620
12	206-62540-08	PACKING	1			620
13	234-62506-08	FLOAT AY	1			620
14	267-62440-08	MAIN NOZZLE	1			620
15	266-62401-08	MAIN JET #97.5	1			620
16	248-62451-08	WASHER	1			620
17	150-62358-08	BOLT	1			620
18	226-62550-08	RING	1			620
19	224-62312-18	NEEDLE VALVE	1			620
20	214-62515-08	PIN	1			620
21	248-62425-08	JET HOLDER	1			620
22	267-62550-08	FLOAT BODY AY	1			620
23	224-62452-08	SCREW	1			620
24	224-62569-18	CLIP	1			620
25	106-62411-08	AIR JET	1			620
26	246-62410-08	AIR JET	1			620
27	230-62446-08	SPRING	1			620
28	267-62450-08	RING	1			620
29	214-62454-08	ADJUST SCREW	1			620
30	205-62447-08	SPRING	1			620
35	267-62571-08	HOSE	1			620
36	138-62354-08	CLIP	1			620
37	242-62313-08	O RING	1			620
38	247-62561-08	SOLENOID AY	1			620
39	247-62565-08	WASHER	1			620

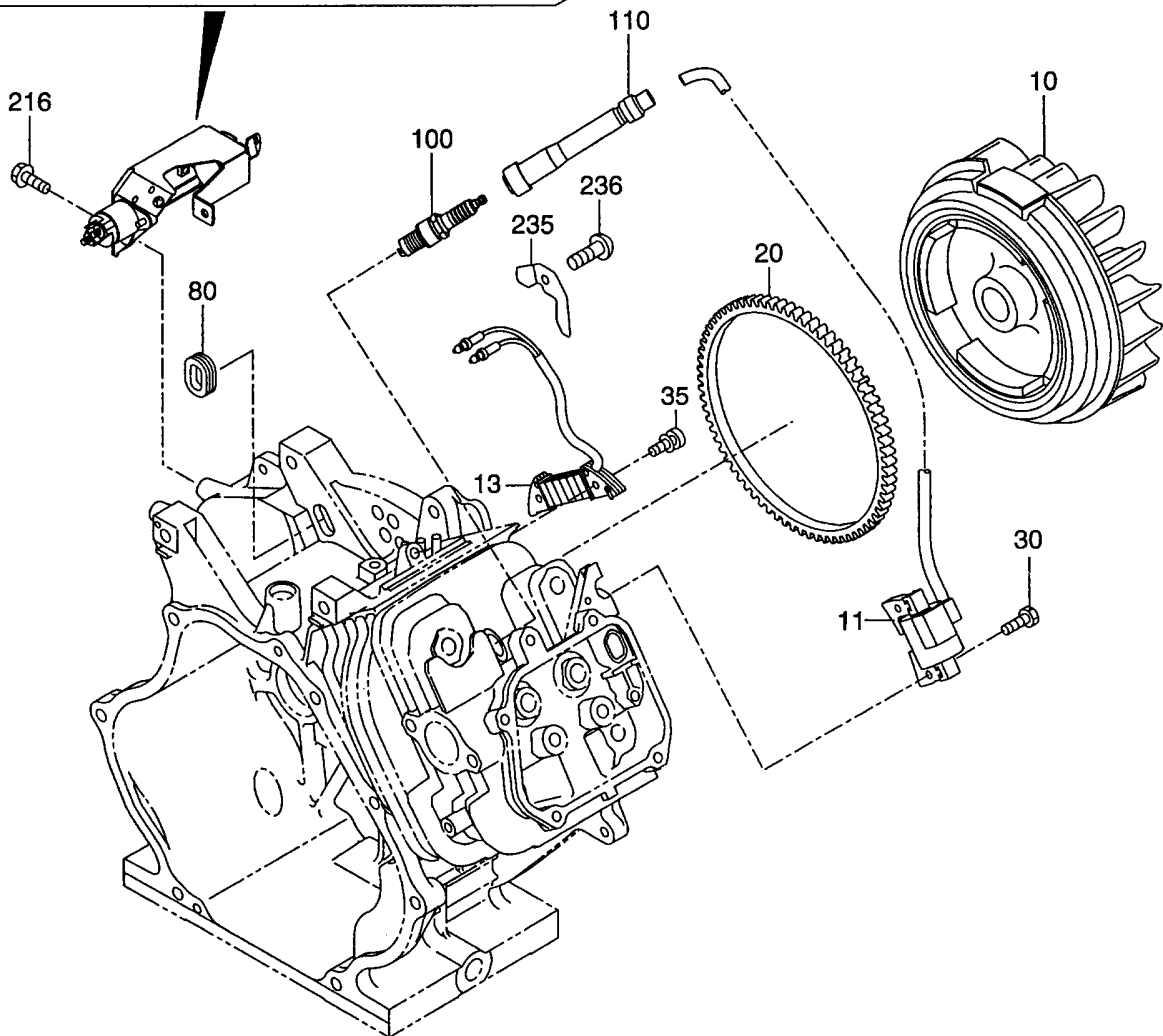
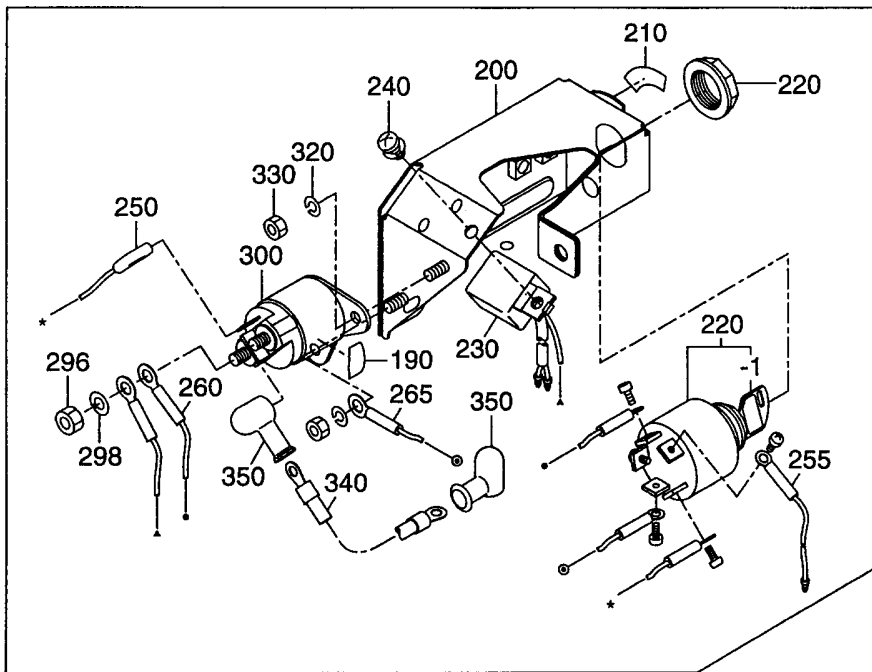
SECTION 7A ELECTRIC DEVICE GROUP - RECOIL START

FIG. 700



SECTION 7B ELECTRIC DEVICE GROUP - ELECTRIC START

FIG. 710

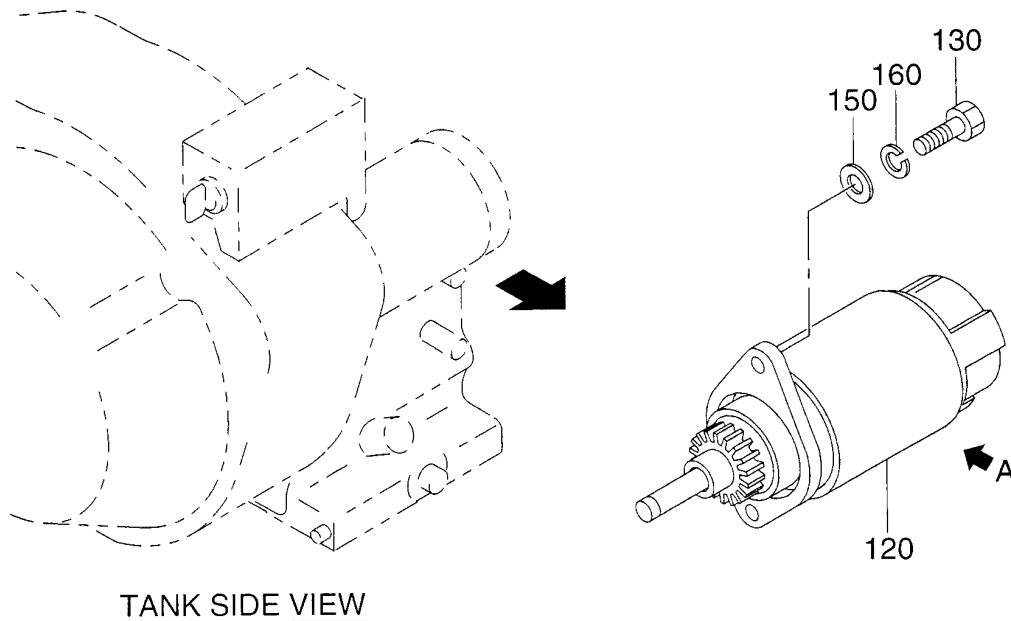
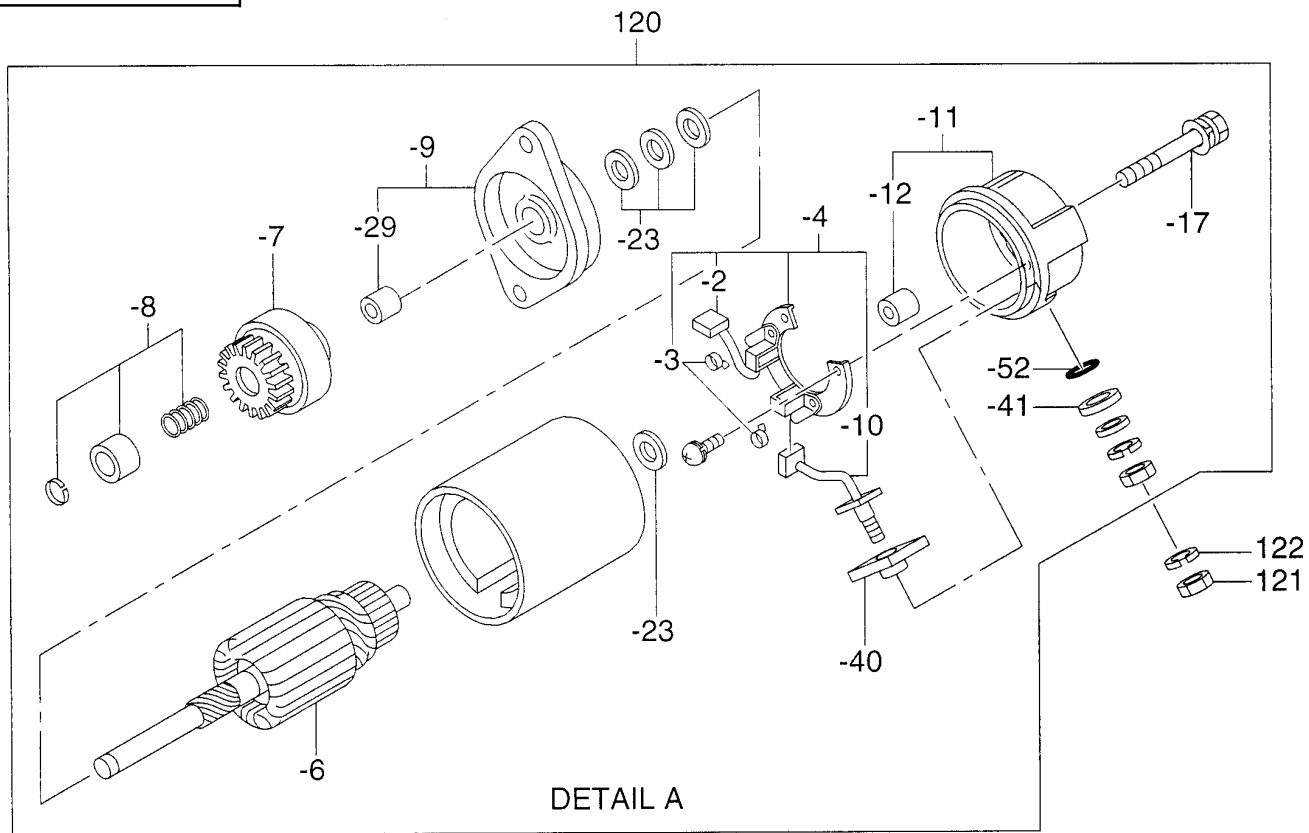


SECTION 7B ELECTRIC DEVICE GROUP - ELECTRIC START

REF.	PART NO.	DESCRIPTION	QTY.	REMARKS	FROM-TO	FIG.
10	267-79202-01	FLYWHEEL CP	1	electric start type		710
11	267-79401-01	IGNITION COIL CP	1			710
13	246-79301-01	CHARGE COIL CP	1			710
20	267-71002-03	RING GEAR	1			710
30	001-14062-50	BOLT AND WASHER AY	2			710
35	004-35062-00	SCREW AND WASHER AY	2			710
80	226-75501-03	GROMMET	1			710
100	065-01403-00	SPARK PLUG	1	NGK BP6ES		710
	065-01404-80	SPARK PLUG	1	NGK BPR6ES		710
110	065-50002-30	SPARK PLUG CAP	1			710
190	073-20044-80	LABEL, BATTERY	1			710
200	267-75101-01	CONTROL BOX CP	1			710
210	073-20044-60	LABEL, STARTER SWITCH	1			710
216	011-00600-20	FLANGE BOLT	1			710
220	066-00003-30	SWITCH	1			710
-1	066-00099-80	KEY	1			710
230	232-71401-01	DIODE RECTIFIER CP	1			710
235	246-75502-01	CLAMP CP	1			710
236	004-31060-80	SCREW, PANHEAD	1			710
240	004-35061-00	SCREW AND WASHER AY	1			710
250	267-73102-01	WIRE 2 CP	1			710
255	224-73102-01	WIRE 3 CP	1			710
260	232-73105-01	WIRE 5 CP	1			710
265	209-73210-01	WIRE 10 CP	1			710
296	002-27060-00	NUT	2			710
298	003-20060-00	SPRING WASHER	2			710
300	066-10000-10	MAGNETIC SWITCH	1			710
320	003-20050-00	SPRING WASHER	2			710
330	002-17050-00	NUT	2			710
340	224-73201-01	WIRE 20 CP	1			710
350	214-78501-03	WIRE CASING	2			710

SECTION 7C ELECTRIC DEVICE GROUP - ELECTRIC STARTER

FIG. 720

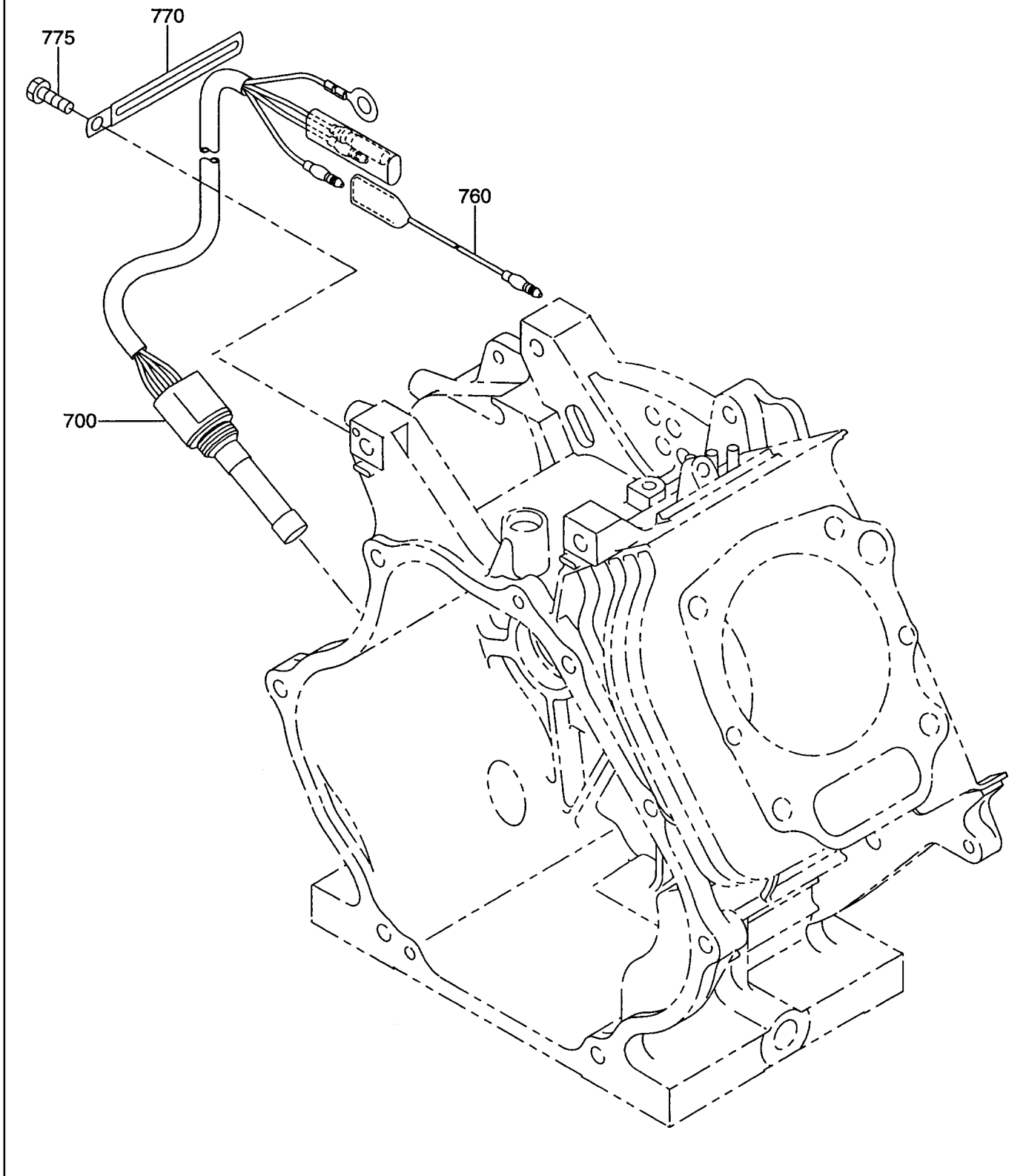


SECTION 7C ELECTRIC DEVICE GROUP - ELECTRIC STARTER

REF.	PART NO.	DESCRIPTION	QTY.	REMARKS	FROM-TO	FIG.
120	224-70502-00	STARTING MOTOR AY	1			720
-2	235-70535-08	BRUSH (+)	1			720
-3	235-70545-08	SPRING (Brush)	2			720
-4	235-70530-08	HOLDER AY (Brush)	1			720
-6	235-70550-08	ARMATURE AY	1			720
-7	224-70551-08	PINION AY	1			720
-8	224-70553-08	STOPPER SET PINION	1			720
-9	246-70500-08	FRONT COVER AY	1			720
-10	235-70540-08	BRUSH (-)	1			720
-11	246-70505-08	REAR COVER AY	1			720
-12	113-70510-08	CASE METAL	1			720
-17	235-70575-08	THROUGH BOLT	2			720
-23	235-70555-08	WASHER KIT	1			720
-29	214-70560-08	FRONT METAL	1			720
-40	235-70565-08	M BUSH (1)	1			720
-41	235-70566-08	M BUSH (2)	1			720
-52	246-70580-08	O RING	1			720
121	002-27060-00	NUT	1			720
122	003-2006-00	SPRING WASHER	1			720
130	214-79007-01	BOLT CP, Starter	2			720
150	003-10080-00	WASHER	2			720
160	003-20080-00	SPRING WASHER	2			720

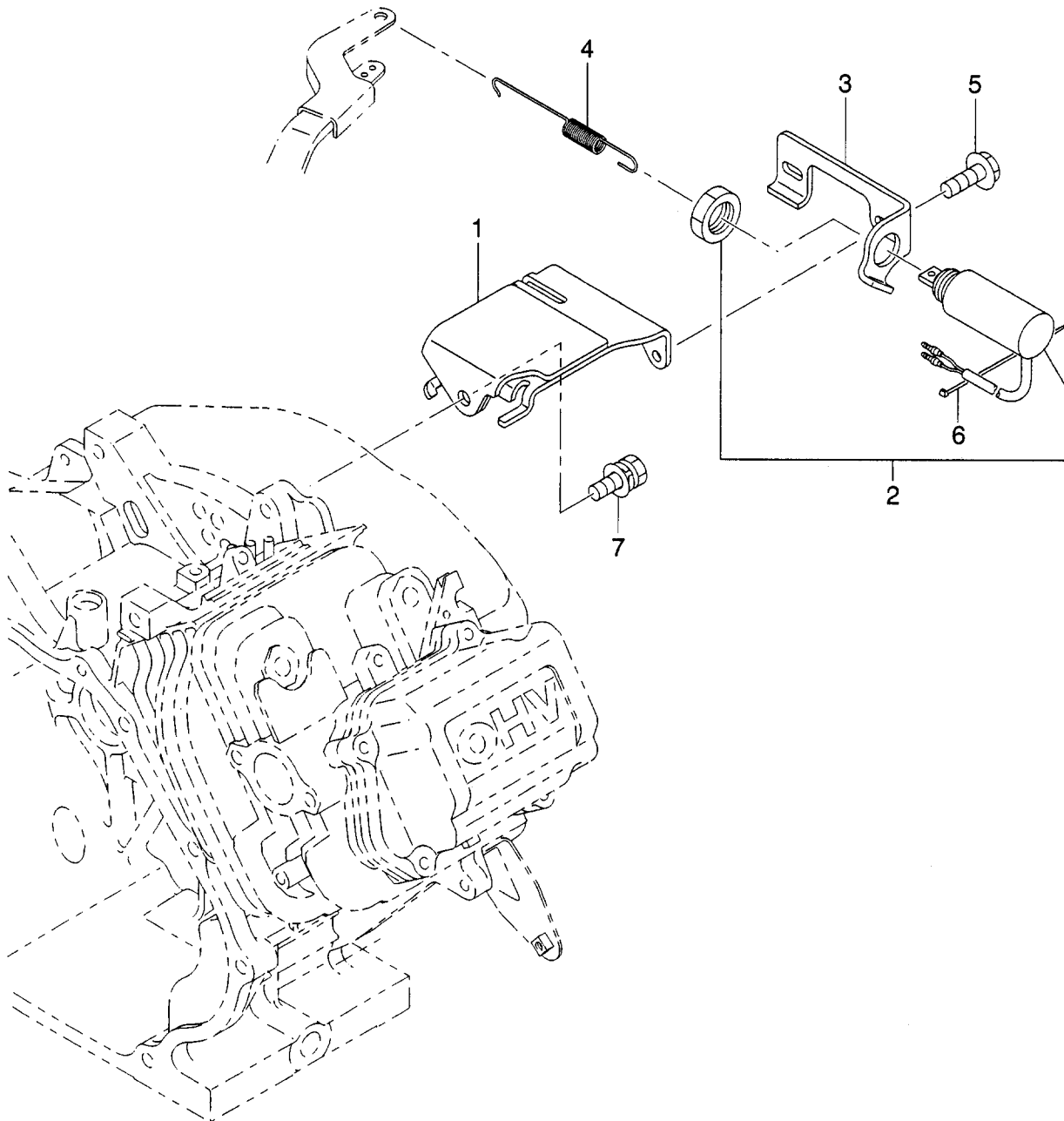
SECTION 7D ELECTRIC DEVICE GROUP - OIL SENSOR

FIG. 760



SECTION 8 SOLENOID GROUP - RGV7500

FIG. 800



PRINTED IN THE USA